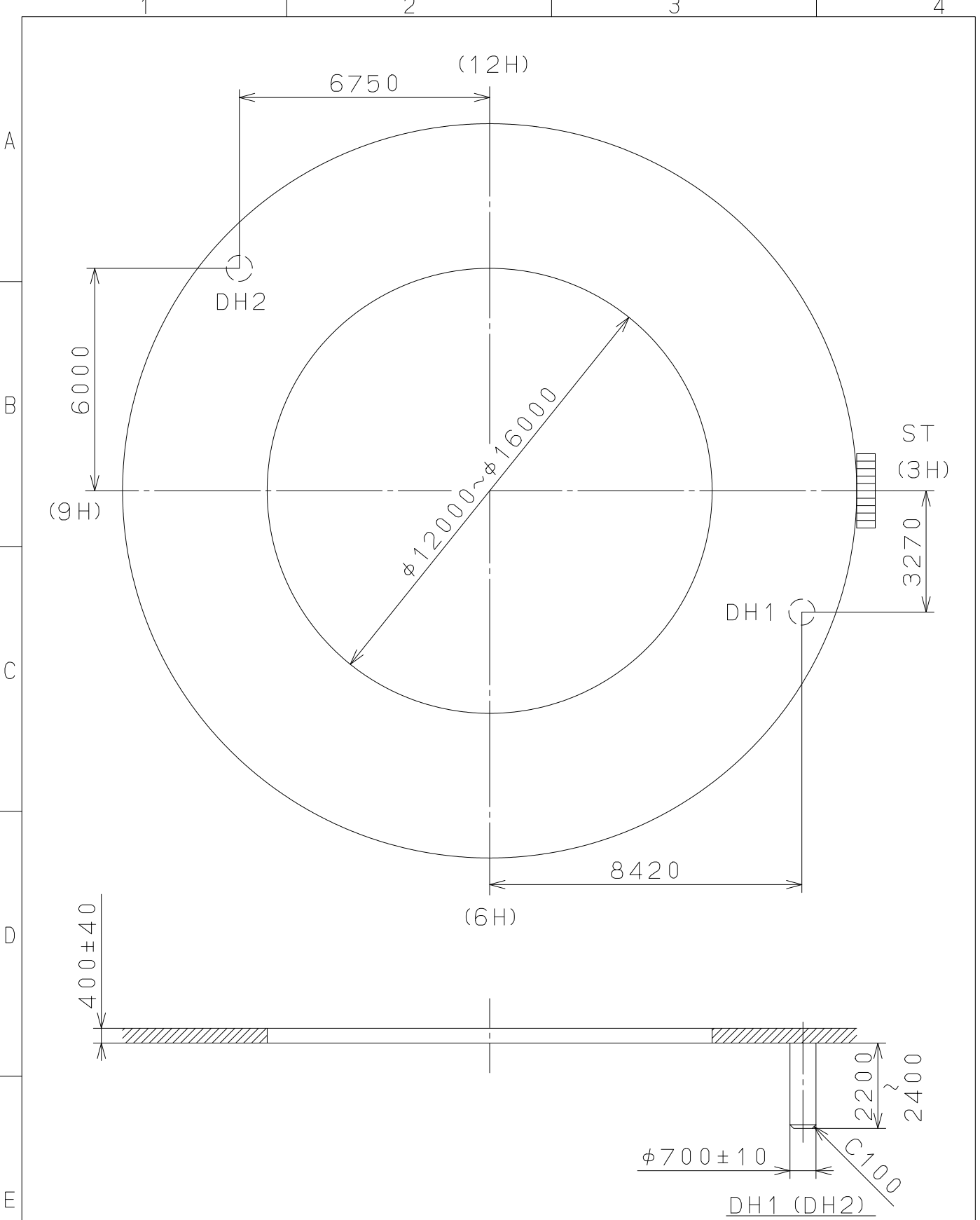


2009/01/26 (09:00:35)

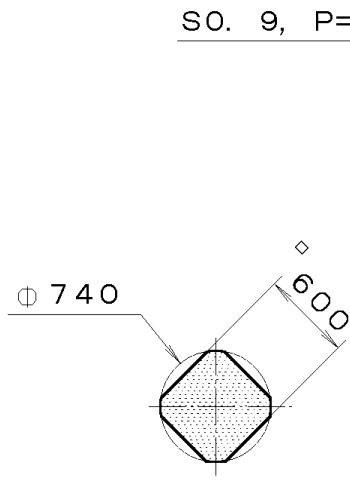
This drawing is provisional and subject to our reconfirmation and/or revision without notice.



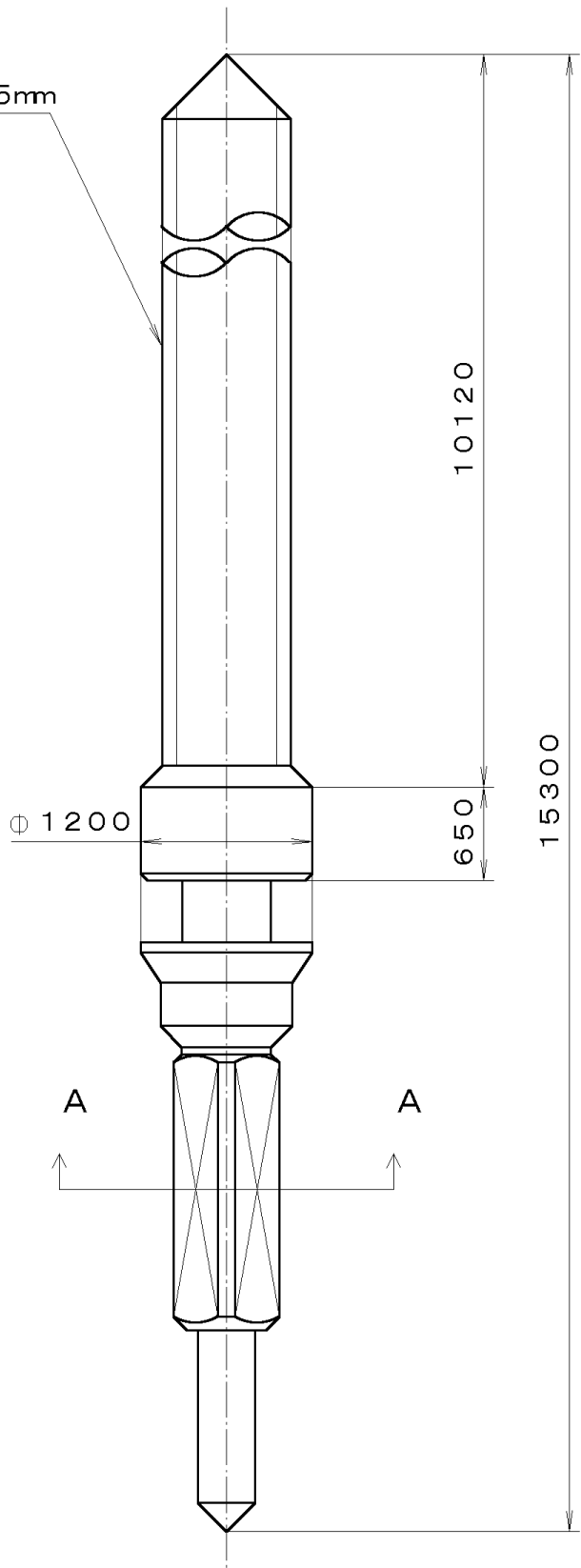
△			Quantity		Cal.NO.:
△			Unit	1/1000mm	6T33-17A
△			Scale	7:1	Parts No.:
△			Date		
△			Drawn		
Mark	Date	Description	Appr.	Checked	Name:
		Alterations	Approved	N. Suzuki	Indications for Dial
Material					Drawing No.: 6T33D000
Heat Treatment				General Tolerances	<b>MIYOTA</b>
Hardness				Dimensions	
Plating				Angles	
					CITIZEN WATCH CO., LTD. TOKYO, JAPAN

This drawing is provisional and subject to our reconfirmation and/or revision without notice.

065-117 (01) \*\*\* (2100 1121) 00-09-18



Section A-A



7			Quantity		Cal. No. :
6			Unit	1/1000 mm	
5			Scale	20:1	Parts:
4			Date		065-117
3			Drawn		Name:
2			Checked	T. Hiruta	SETTING STEM
1			Approved		Drawing No. : 1170S000
Material					
Heat Treatment			General Tolerances		
Hardness			Dimensions		
Plating			Angles		

**CITIZEN** WATCH CO., LTD.  
TOKYO, JAPAN